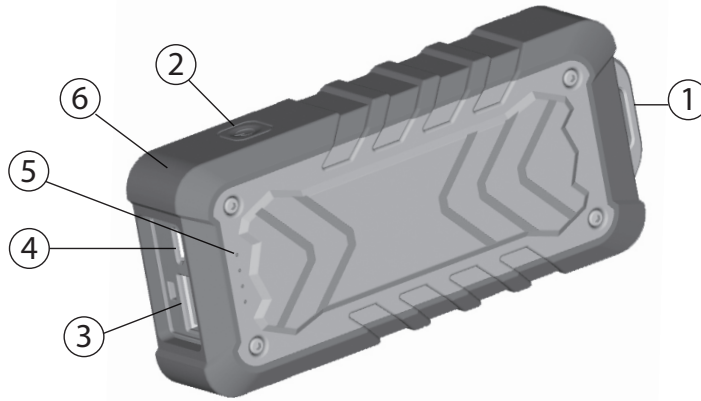


# EN - User Manual ONPOWER 310

## A. LED indicators :

- 1 : Lanyard hole
- 2 : Power key
- 3 : USB1 Output
- 4 : USB2 Output
- 5 : Micro USB Input
- 6 : LED indicators



## B. Features

- High capacity of 5200 mAh.
- Two USB output.
- Built-in LED lighting function.
- Smart LEDS display of remaining power .
- Water proof design IPX4 (rain and projections).
- Multiple safety protection system to ensure devices safety protection for overcharge overvoltage overburdens and short circuit.

## C. Specification

Battery Type: Li-ion Battery.

Capacity: 5200 mAh / 19.3 Wh.

Input: Micro USB 5V/1A.

Output: USB1 5V/1A USB2 5V/2. 1A.

Dimension: 114\*50\*27mm.

Weight: 200g +- 10g //64g+-5g.

Accessory : 1 USB cable.

## D. How to use the ONPOWER 310

1. Turn on the ONPOWER 310: Short press the power key, make the LED power indicator start constantly, it means the power start.
2. Turn off the ONPOWER 310: Short press the power key, make the LED power indicator close, it means the power close.

## E. How to charge ONPOWER 310

1. Charge by Computer or Adapter : connect the ONPOWER 310 with USB cable.
2. The LED indicators will flicker when charging the ONPOWER 310.
3. The LED indicators will all light when full charging.

Note: Please charge and restart the ONPOWER 310 while it is under lock. Status or in shortcut protection caused by incorrect operation.

## F. How to test remaining power

Press the power button to check remain power.

Power status:

LED Light	ON OFF	Capacity	LED indicator flash
○ ○ ○ ○	○	<10%	○
● ○ ○ ○	○	10%-35%	○
● ● ○ ○	○	35%-65%	○
● ● ● ○	○	65%-85%	●
● ● ● ●	○	85%-100%	●

## G. How to charge your device

Fit For:  
Iphone, Mobile Phone, MP3/MP4 ,PSP/NDS.

1. Use your original USB data cable or our standard cable to connect USB cable and device connector.
2. Connect the device and ONPOWER 310.
3. Turn on your ONPOWER 310.
4. Disconnect your device after fully charged.

## H. Caution

1. Please completely full charge the ONPOWER 310 in first usage.
2. Please make sure that use standard cable with appropriate specification. or it may lead to the ONPOWER 310 damage.
3. Please confirm the voltage of the electric device is 5V before charging it.
4. Do not drop. knock disassemble or attempt to repair the ONPOWER 310 by yourself.
5. Do not immerse or put the ONPOWER 310 in water or damp place.
6. Do not expose or put the ONPOWER 310 near to heat sources or flammable place.
7. Do not put the ONPOWER 310 in car for Strong light and high temperature will lead to product damage.
8. Keep the ONPOWER 310 away from children.
9. Do not put any item into the ONPOWER 310 USB input and output ports to avoid any shortcut or damage.
10. Please make a complete charge every four month to avoid shorten the ONPOWER 310 life span.

## I. Warranty:

2 year guarantee subject to normal usage (accessories are out of warranty).